

产品规格/承认书

PRODUCT SPECIFICATION / APPROVAL SHEET08

产品名称: 硅光电池
PRODUCT NAME

产品型号代码: LXD33MQ
PRODUCT MODEL CODE

产品编码: LXD33MQ
PRODUCT CODE

客户公司名称:
CUSTOMER

客户编码:
CUSTOMER CODE

送样日期:
ISSUE DATE

本承认书内容若贵公司确认无误, 烦请于下方承认
栏内签章寄回。
Please confirm your acceptance of this approval sheet by return fax.

承认栏 CONFIRMATION SIGNATURE

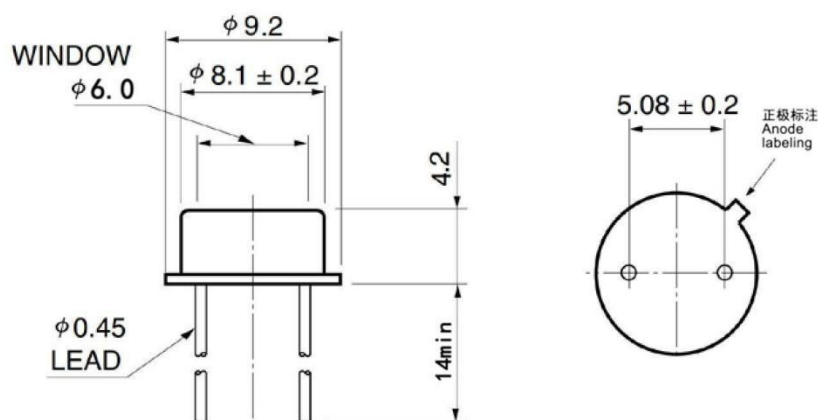
广东宇弛电子有限公司 Guangdong Uchi Electronics Co, Ltd		
拟定 Write	审核 Checked	批准 Approved
梁林青 LiangLinQing	陈媚 ChenMei	Anna

QC	QA	SIGNATURE

Tel: 86-769-86183707 Fax: 86-769-85625751
Mobile: (+86) 13925862052(whatsapp/wechat) Skype: uchi_anna
<http://www.uchi dg. com/> Email: Anna@uchi dg. com



尺寸(mm):/DIMENSIONS IN MM :



*未注明公差±0.3mm /Unspecified tolerance:±0.3mm

DESCRIPTION/产品描述

LXD33MQ is a Blue Enhanced Silicon photodiode sensitive to 350-1100nm.It is mounted in a TO5 type header with clear glass encapsulation. Detector can be biased for lower capacitance, faster response and wider dynamic region.

LXD33MQ 光谱范围 400-1100nm ,紫蓝光增型硅光电二极管， TO5 金属玻璃组件。器件有成本较低，反应快，动态范围宽等特点。

APPLICATIONS/典型应用

- Spectrophotometer/分光光度计
- Fluorescence/荧光检测
- Colorimeter, Photometer/色度计，照度计

FEATURES/特性

- 350-1100nm Range/光谱范围 350-1100nm
- For 380nm Blue enhance/ 对 380nm 增强
- Low Capacitance/低电容

TYPICAL ABSOLUTE MAXIMUM RATINGS/ 典型额定参数

SYMBOL/符号		UNITS/单位	
BVR/反向击穿电压	24	V	Reverse Breakdown Voltage I _R =100μA, H=0 :@25℃
Storage Temperature/贮存温度	-20 to +75	℃	-
Operating Temperature/工作温度	-20 to +65	℃	-
Soldering Temperature*/焊接温度	+260	℃	*Soldering Time < 3s/焊接时间小于 3s

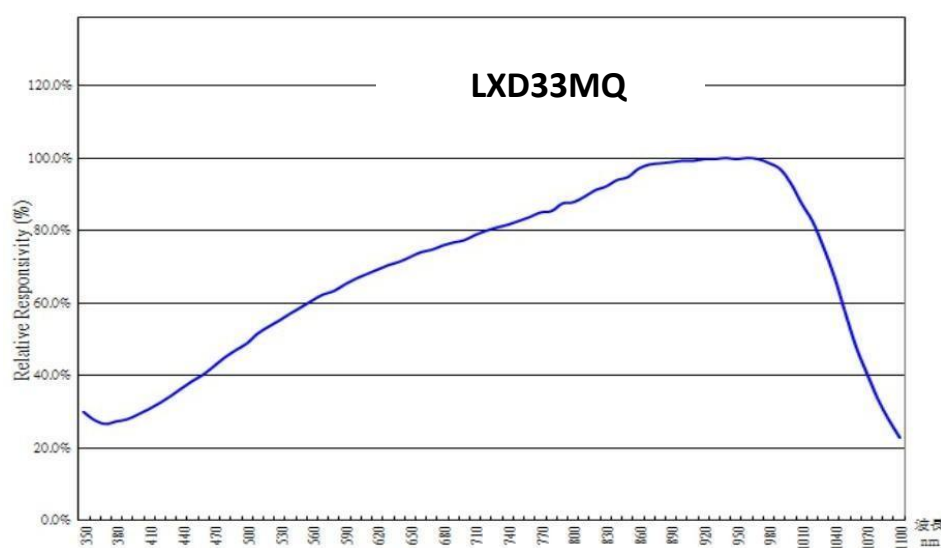
Tel: 86-769-86183707 Fax: 86-769-85625751
 Mobile: (+86) 13925862052(whatsapp/wechat) Skype: uchi_anna
<http://www.uchidg.com/> Email: Anna@uchidg.com

TYPICAL OPTO-ELECTRICAL PARAMETERS@25°C/典型光电参数

型号	芯片面积	光谱响应范围 (λ)	响应峰值波长 (λ)	短路电流 Ish	开路电压 Voc	暗电流 ID	击穿电压	结电容 Cj	响应时间 tr	封装
LXD33MQ	MM	NM	NM	μA	mV	10 ⁻⁶	V _R	pF	μS	
				A 灯源 E=100Lux 最小值	A 灯源 E=100Lux 最大值	E=0V VR=-1v	V	V _{R20} V	V _{R=0} V RL=1K Ω	
	2.9*2.9	400-1100	960	≥8	≥280	≤0.1	≥50	25	0.1	T0-5

TYPICAL PERFORMANCE/典型曲线

ion in this technical datasheet is believed to be correct and reliable. However, no responsibility is assumed for possible inaccuracies or omission. Specifications are subject to change without notice.



Tel: 86-769-86183707 Fax: 86-769-85625751
 Mobile: (+86) 13925862052(whatsapp/wechat) Skype: uchi_anna
<http://www.uchidg.com/> Email: Anna@uchidg.com